

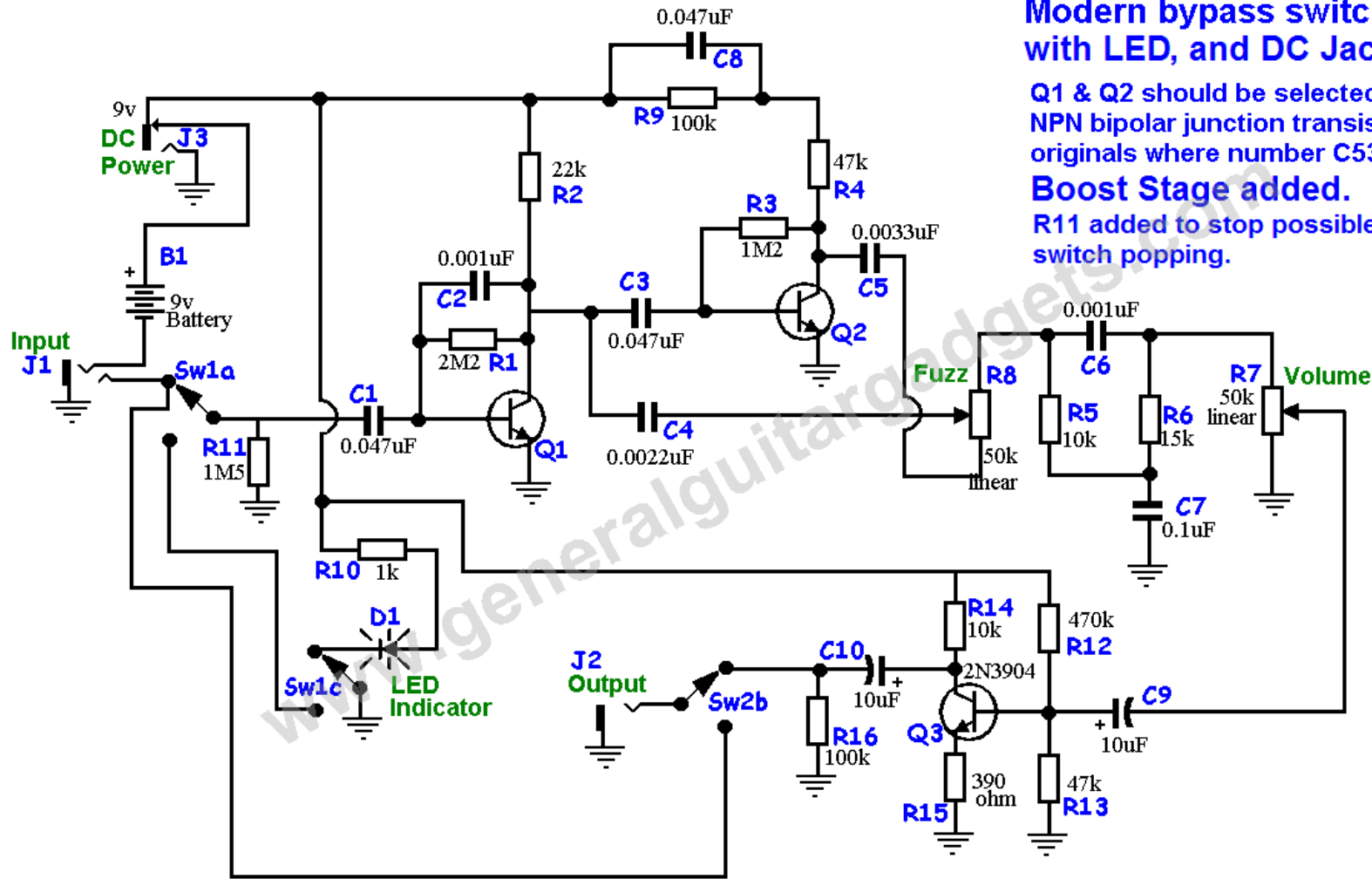
# Shin Ei Companion Fuzz FY-2™ With Booster

Version 2012 January 23

Copyright 2008 JD Sleep

Permission refused for posting/serving this file from any site other than [www.guitar-gadgets.com](http://www.guitar-gadgets.com)

Trademarks are property of their owners



Modern bypass switching with LED, and DC Jack added.

Q1 & Q2 should be selected low-gain NPN bipolar junction transistors. The originals where number C536F7G.

Boost Stage added.

R11 added to stop possible bypass switch popping.