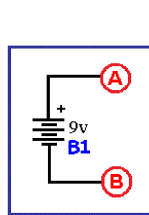
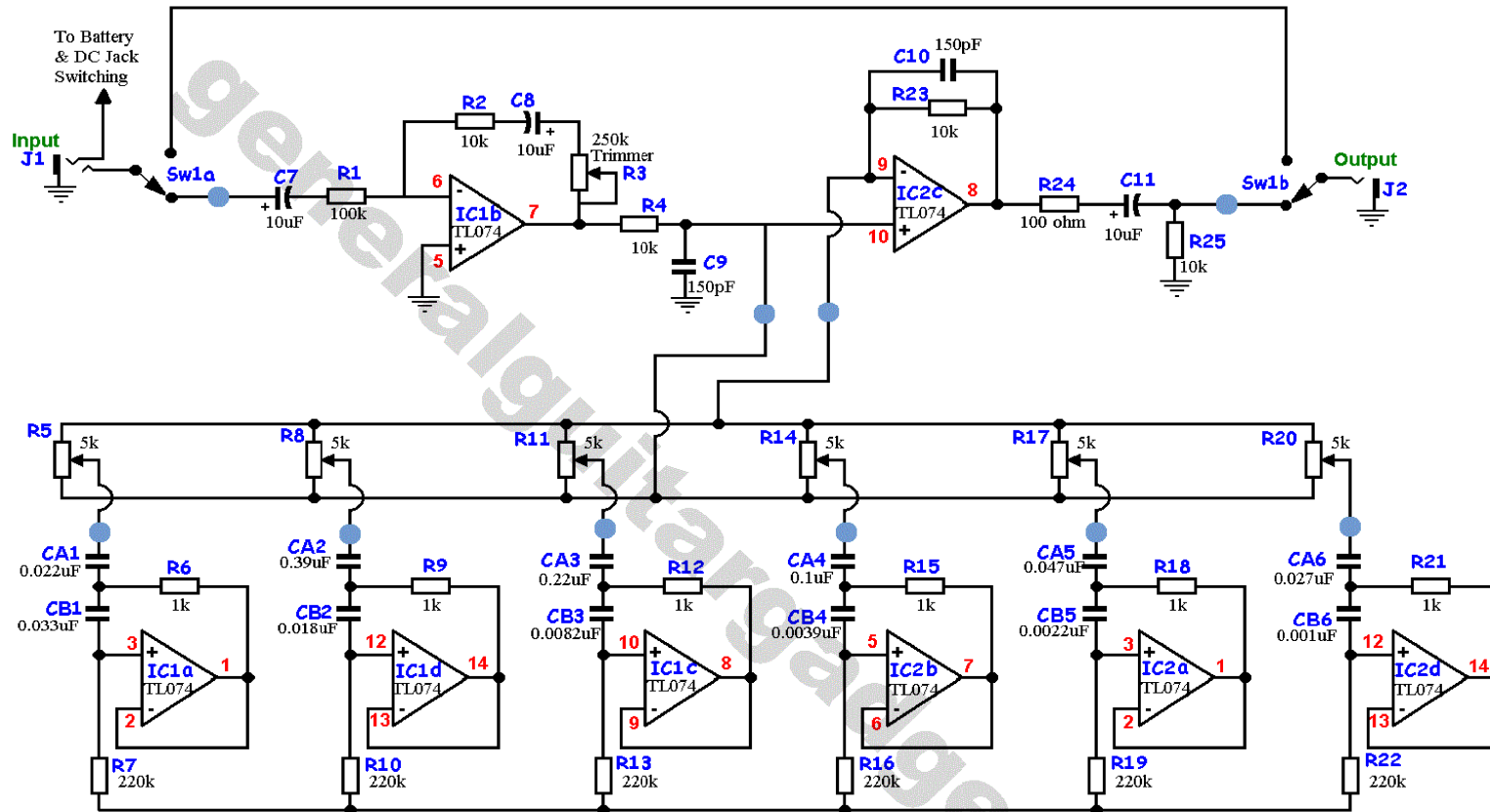


Graphic Equalizer (6 Band) Schematic

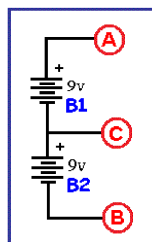
Version 2014October18

Copyright 2014 JD Sleep

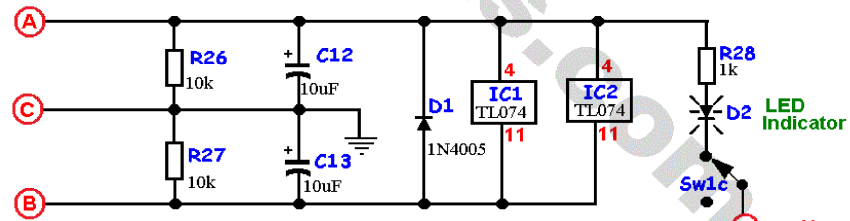
Permission refused for posting/serving this file from any site other than www.generalguitargadgets.com Trademarks are property of their owners



Single Supply



Dual Supply



This X connection:

(C) for Dual Supply

(B) for Single Supply

● - Designates off-board connections