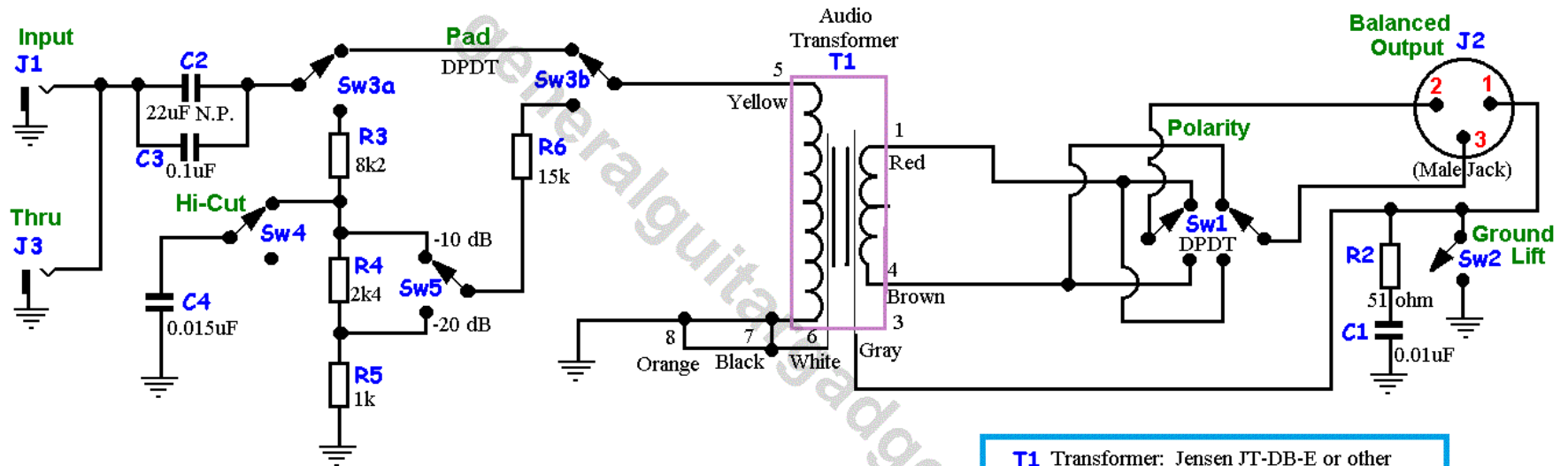


Direct Box - Passive, with Extras (Jensen JT-DB-E) Unbalanced Input to Balanced Output

Version 2017September13

Copyright 2017 JD Sleep

Permission refused for posting/serving this file from any site other than www.generalguitargadgets.com



T1 Transformer: Jensen JT-DB-E or other
10K Primary : 600 ohm Secondary transformer

J2 - A3M XLR Jack Pins:

- Pin 1** - Ground
- Pin 2** - Positive (hot) (non-inverted)
- Pin 3** - Negative (cold) (inverted)