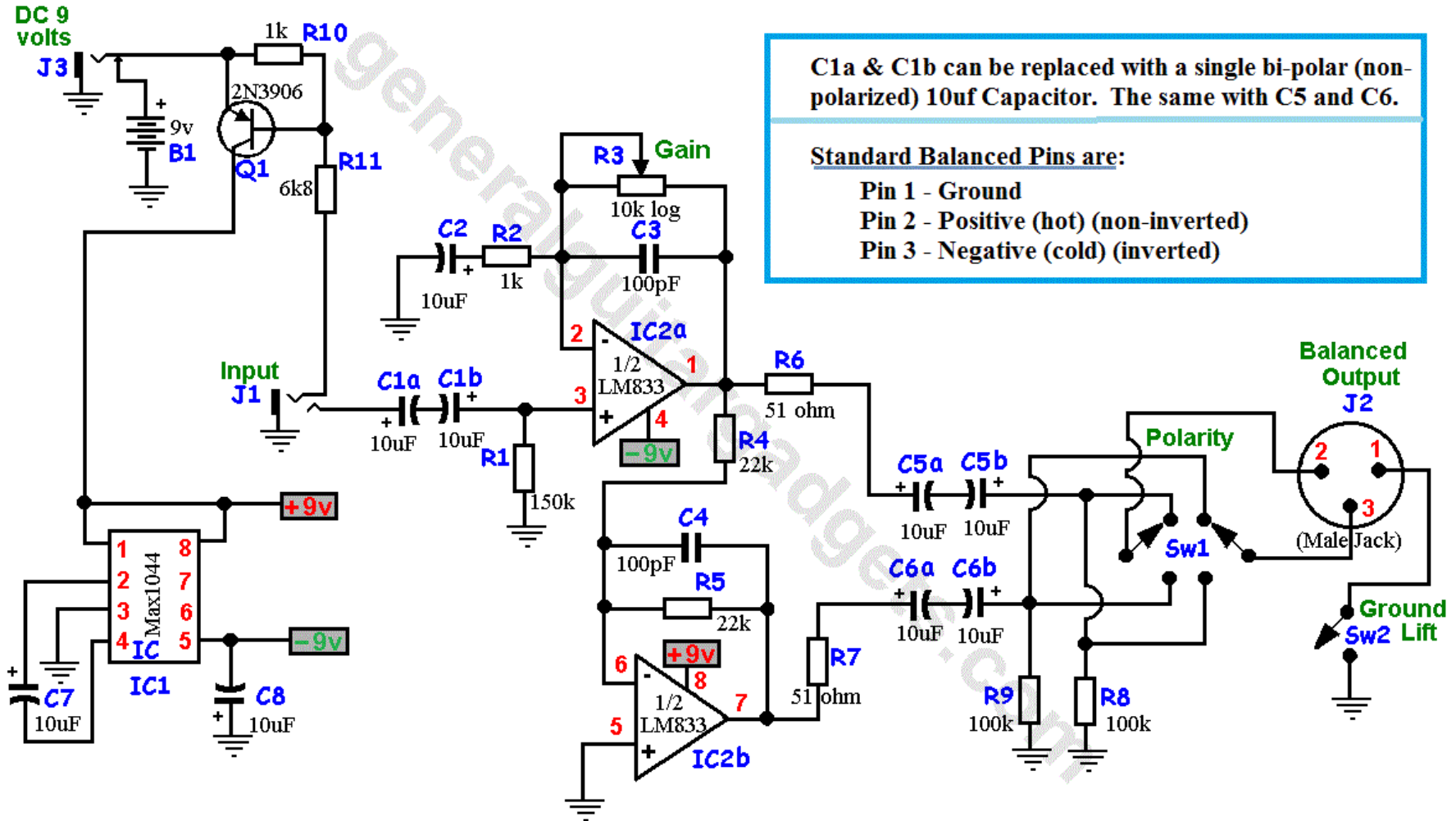


Direct Box - Active, Unbalanced Input to Balanced Output

Version 2016November17

Copyright 2016 JD Sleep

Permission refused for posting/serving this file from any site other than www.generalguitargadgets.com



C1a & C1b can be replaced with a single bi-polar (non-polarized) 10uf Capacitor. The same with C5 and C6.

Standard Balanced Pins are:

- Pin 1 - Ground
- Pin 2 - Positive (hot) (non-inverted)
- Pin 3 - Negative (cold) (inverted)