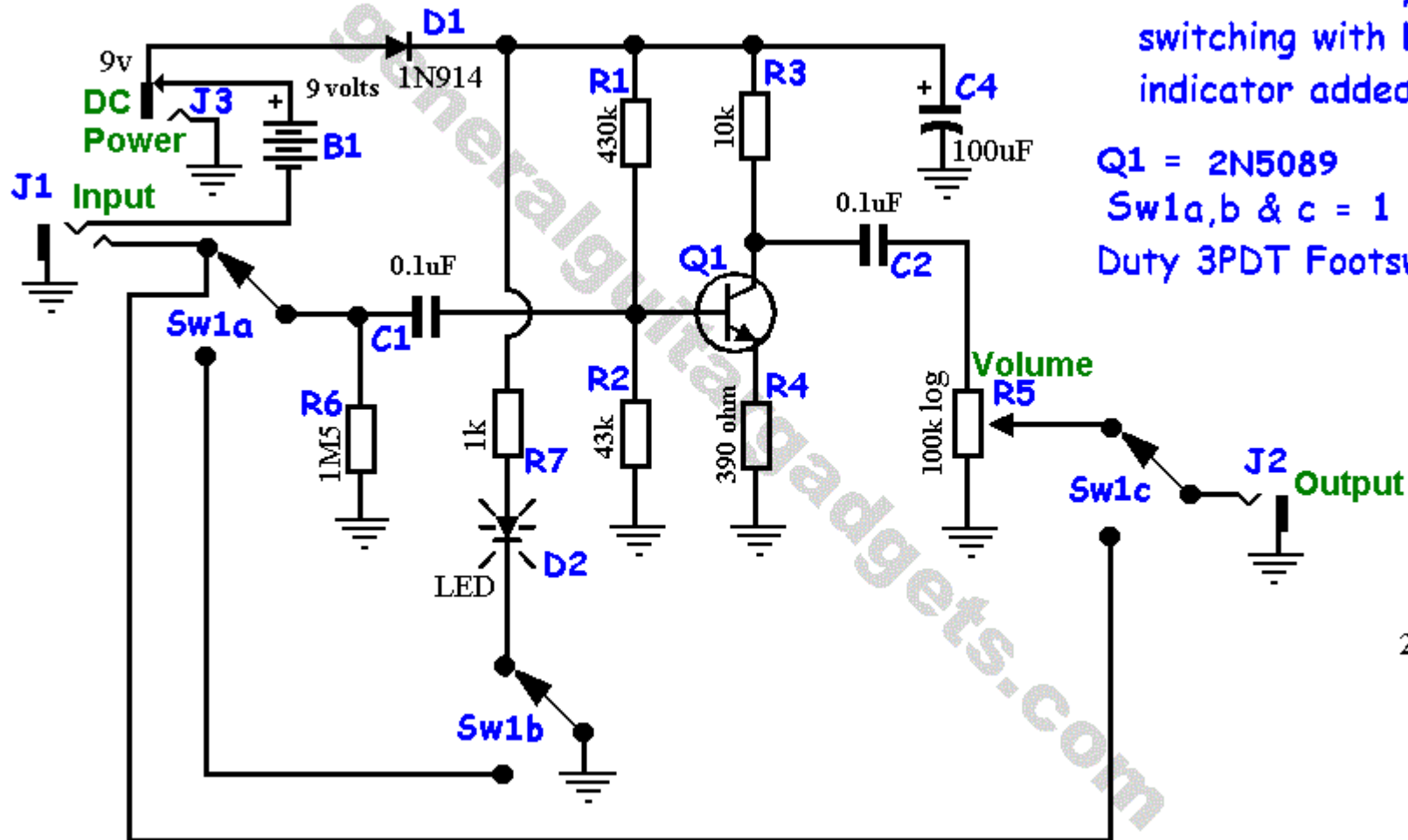


Electro-Harmonix™ LPB™

Version 2014March17

Copyright 2009 JD Sleep

Permission refused for posting/serving this file from any site other than www.generalguitargadgets.com Trademarks are property of their owners



R6 and True Bypass
switching with LED
indicator added.

Q1 = 2N5089
Sw1a,b & c = 1 Heavy
Duty 3PDT Footswitch

