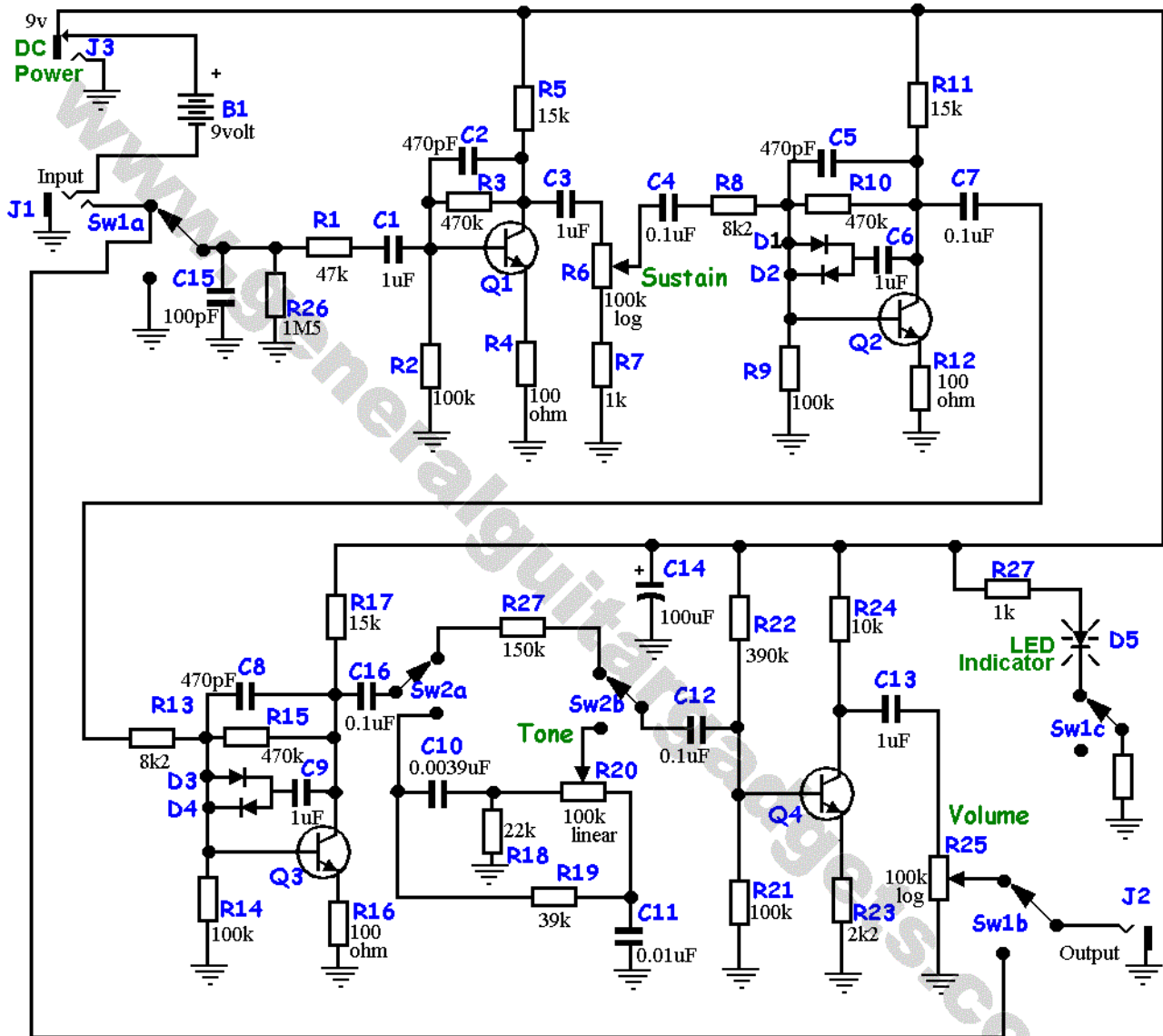


BMP (EHX™ Big Muff Pi™ Replica) 80's Tone Control Bypass Version

Version 2012December23

Copyright 2012 JD Sleep

Permission refused for posting/serving this file from any site other than www.generalguitargadgets.com Trademarks are property of their owners



Q1, Q2, Q3 & Q4 - 2N5088 or similar
D1, D2, D3 & D4 - 1N4148 or 1N914

These improvements were added and are not found on most original units:
R26, C14 & C15 - Were added to prevent noise and possible switch click.
True Bypass 3PDT switch with LED Indicator and DC Jack