

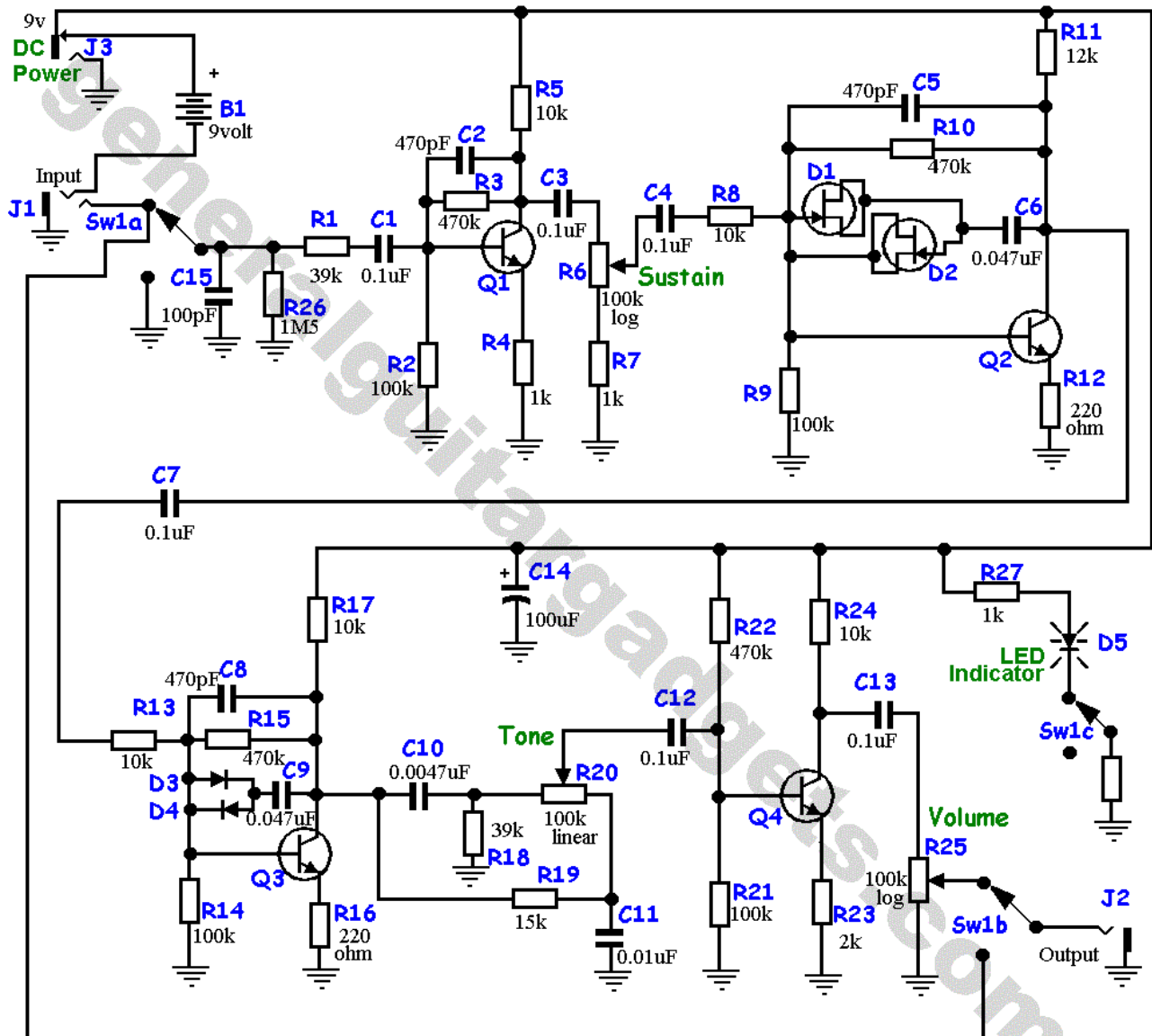
# Deluge Bass Distortion (based on the BMP PCB) Design by J. Michael

Version 2014July11

Copyright 2014 JD Sleep

Permission refused for posting/serving this file from any site other than [www.generalguitargadgets.com](http://www.generalguitargadgets.com)

Trademarks are property of their owners



Q1, Q2, Q3 & Q4 - 2N5089  
D1, D2 - 2N5457     D3, D4 - 1N4001