

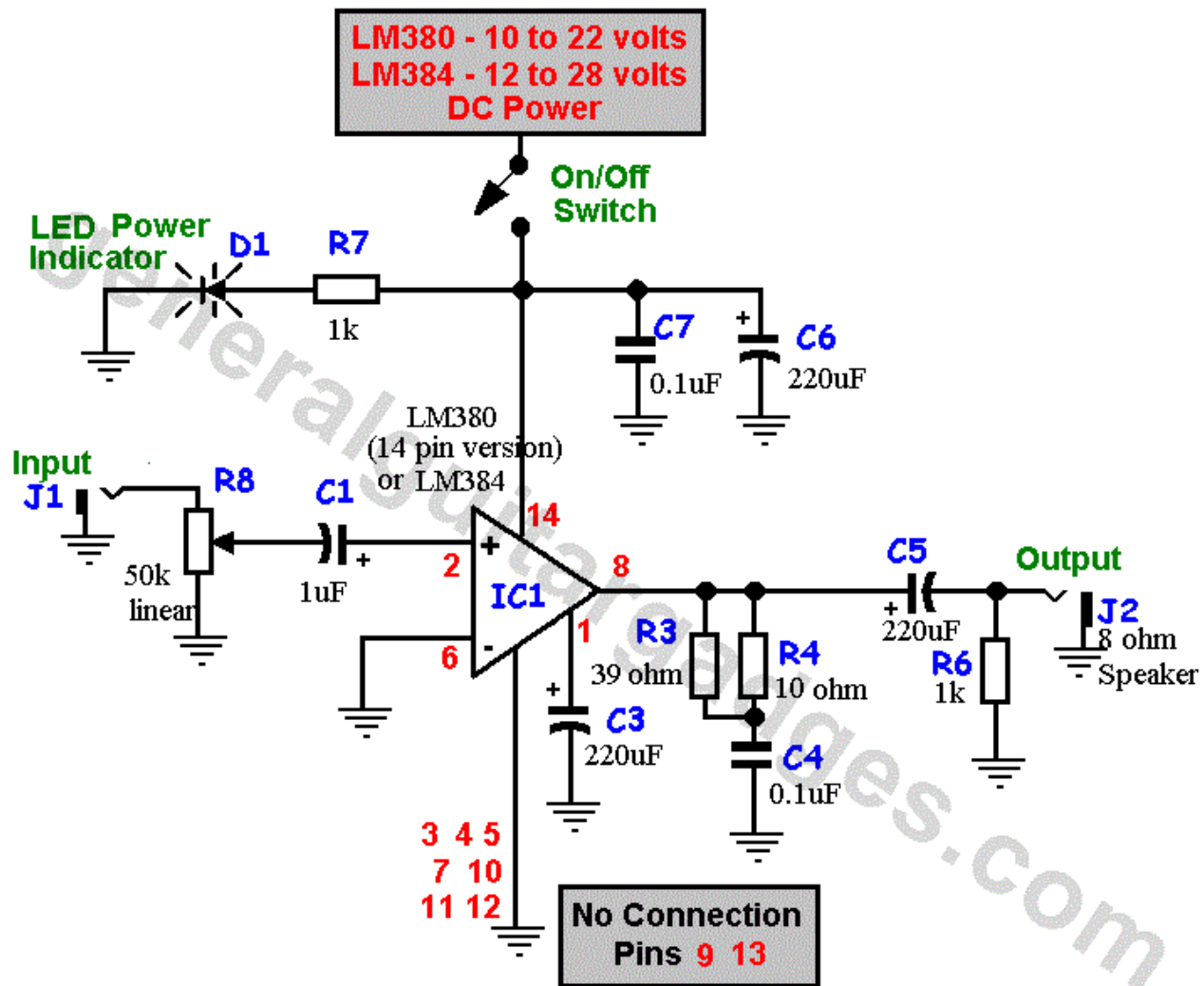
LM384 Amp Schematic

Version 2019July09

Copyright 2019 JD Sleep

Permission refused for posting/serving this file from any site other than www.generalguitargadgets.com

Trademarks are property of their owners



Non-Inverting Amplifier